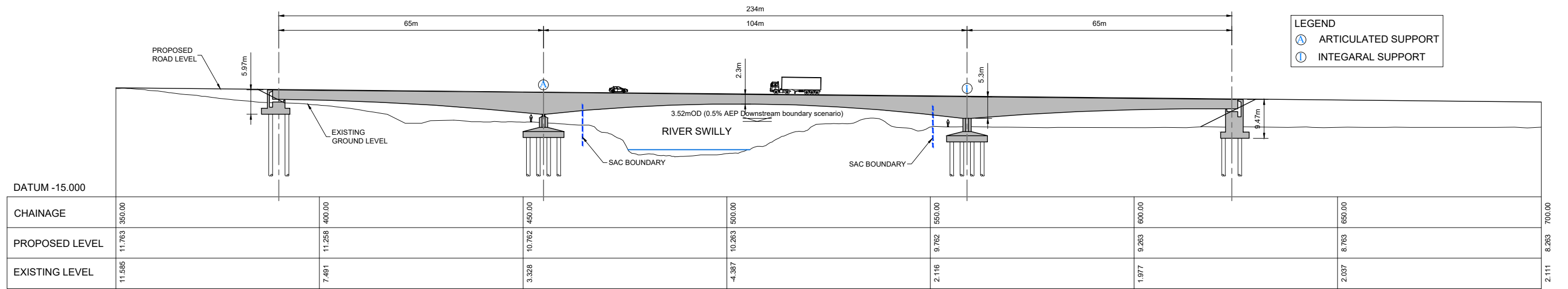
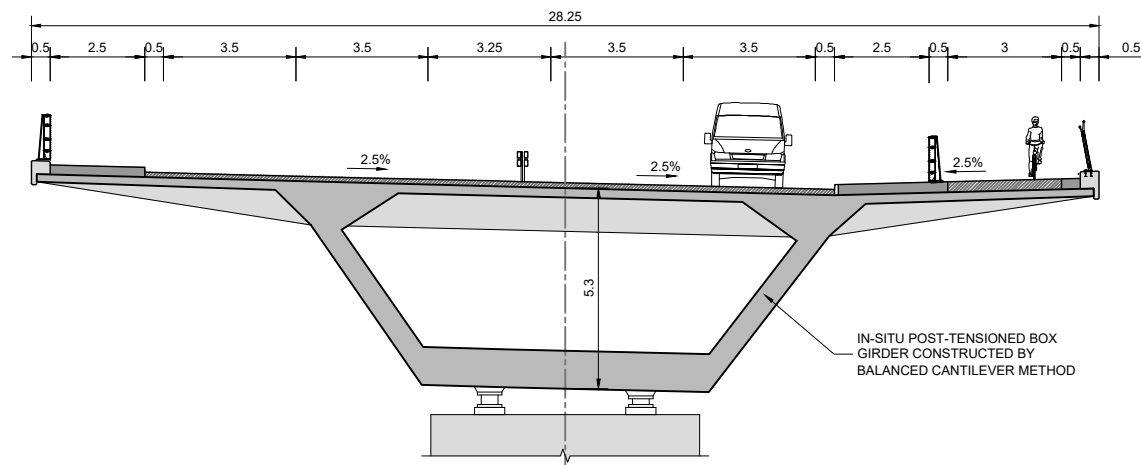


PLAN  
Scale: 1/1000 @ A1, 1/2000 @ A3

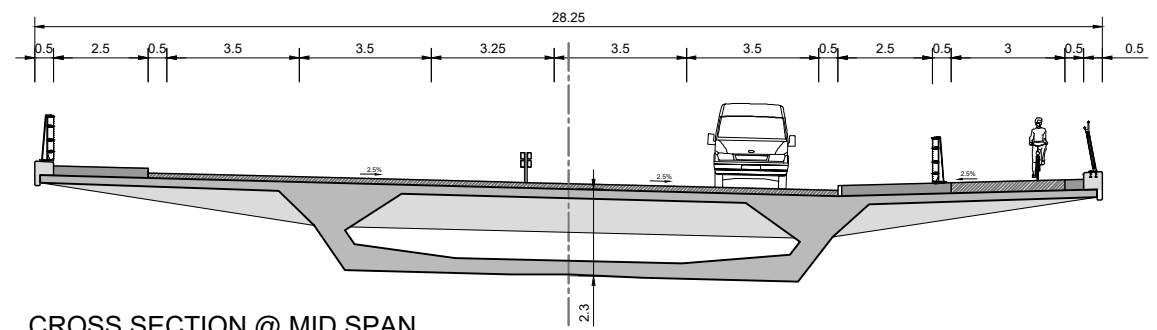


LEGEND  
 A ARTICULATED SUPPORT  
 I INTEGRAL SUPPORT

LONG SECTION  
Scale: 1/500 @ A1, 1/1000 @ A3



CROSS SECTION @ ARTICULATED PIER SUPPORT  
Scale: 1/100 @ A1, 1/200 @ A3



CROSS SECTION @ MID SPAN  
Scale: 1/100 @ A1, 1/200 @ A3

T:\MGT0337 - Ten-T Priority Route Imp - Donegal\8.0 Drawings\Phase 3\BRIT - MGT0337-RPS-P3-S2-DR-C-BR0131 - BR0132.dwg

NOTES  
 DO NOT SCALE, use figured dimensions only.  
 All levels are referred to Ordnance Survey Datum, Main Head.  
 This drawing is the property of the Donegal County Council. It is a confidential document and must not be copied, used, or its contents divulged without prior written consent. This document should not be relied on or used in circumstances other than those for which it was originally prepared. RPS / Barry Transportation accepts no responsibility for this document to any other party other than the party by whom it was commissioned.

Rev.	Date	Drawn	Description	Chk'd	Appr.
P01	12.11.25	CD	ISSUE FOR PLANNING	JM	EC

Project Title: TEN-T Priority Route Improvement Project, Donegal Section 2 - N56/N13 Letterkenny to Manorcunningham		Status: A3
Drawing Title: RIVER SWILLY CROSSING (N56R005) BRIDGE (POST TENSIONED BOX GIRDER)		Rev: P01
Designed: JM	Date: NOV 2025	EIAR Drawing Identifier:
Drawn: CD	Scale @ A1: AS	EIAR DRAWING 4.19
Approved: EC	@ A3: AS	File Identifier:
Checked: JM	Sheet: 01 of 01	TT_MGT0337-RPS-P3-S2-DR-C-BR0131