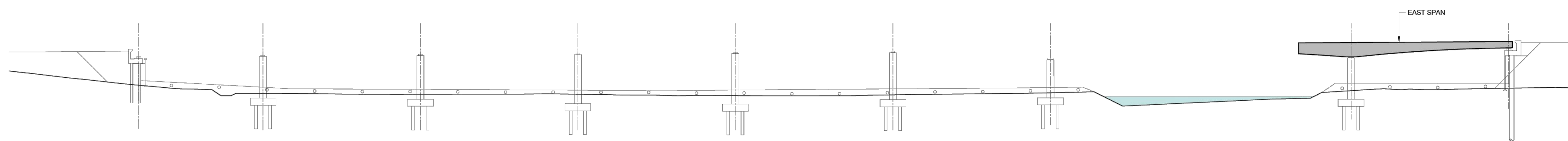
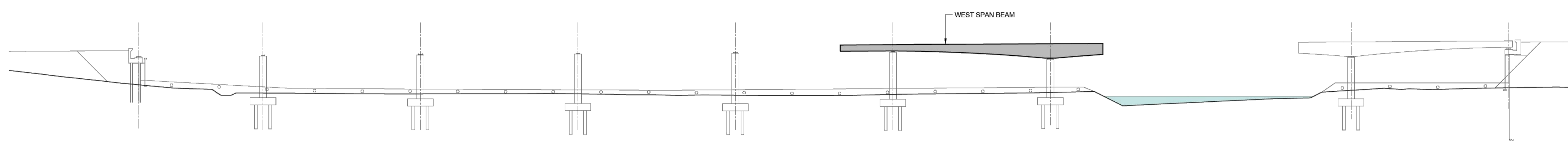


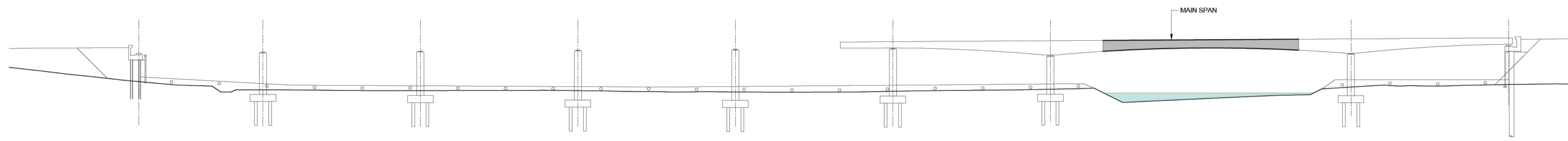
\legis.racine.local\bu_mens\BIB\01_P\Projects\Donegal\Structural\Cad\WIP\STR\DWG\STL_Y16112-BT-1A-SBR-S3-DR-S-17505.dwg



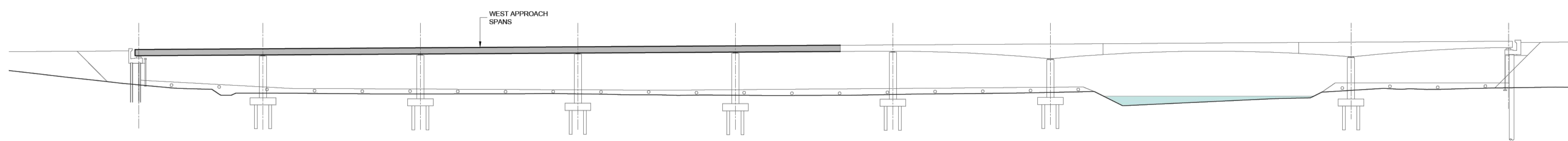
STAGE 6 - ERECT EAST SPAN STEELWORK



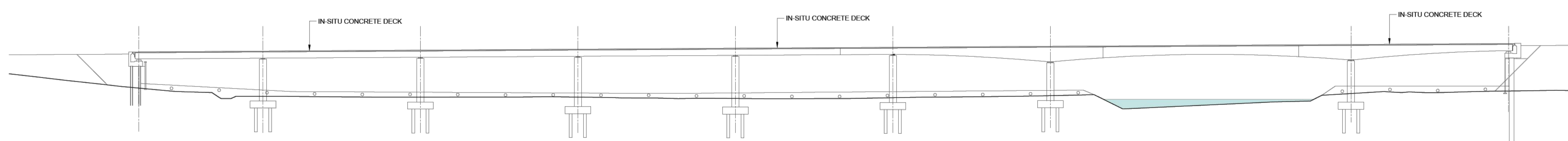
STAGE 7 - ERECT WEST SPAN STEELWORK



STAGE 8 - ERECT MAIN SPAN STEELWORK



STAGE 9 - ERECT STEELWORK WEST APPROACH SPANS



STAGE 10 - INSTALL PRECAST PARTICIPATING FORMWORK AND POUR DECK SLAB

CYAL50441196
© Talte Éireann - Surveying

Notes
 DO NOT SCALE, use figured dimensions only. All levels are referred to Ordnance Survey Datum, Main Head.
 This drawing is the property of Donegal County Council. It is a confidential document and must not be copied, used, or its contents divulged without prior written consent. This document should not be relied on or used in circumstances other than those for which it was originally prepared. Barry Transportation accepts no responsibility for this document to any other party other than the party by whom it was commissioned.

Rev.	Date	Drawn	Description	Chk'd	Appr.
P01	01/12/25	WS	ISSUE FOR PLANNING	MB	WL

Project Title: TEN-T Priority Route Improvement Project, Donegal		Section 3 - N14 Manorcunningham to Lifford/Strabane/A5 Link	
Drawing Title: N14-N15 TO A5 LINK - RIVER FINN CROSSING (REF N14R175)		CONSTRUCTIVE SEQUENCE - SHEET 2 of 2	
Designed: MB	Date: December 2025	EIAR Drawing Identifier:	Status: A3
Drawn: WS	Scale @ A1: AS SHOWN	EIAR Drawing 4.38	Rev: P01
Approved: WL	@ A3: AS SHOWN	File Identifier:	
Checked: MB	Sheet:	TT_Y16112-BT-1A-SBR-S3-DR-S-17505	