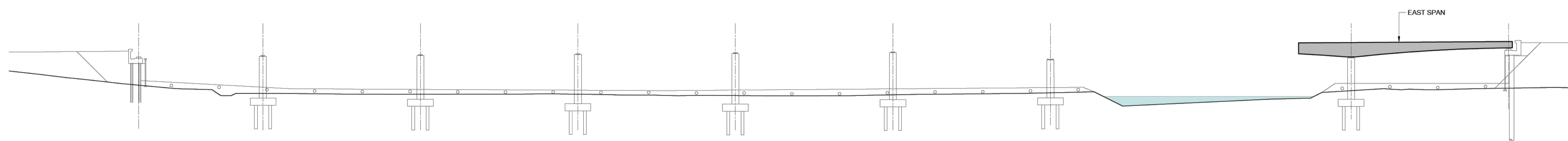
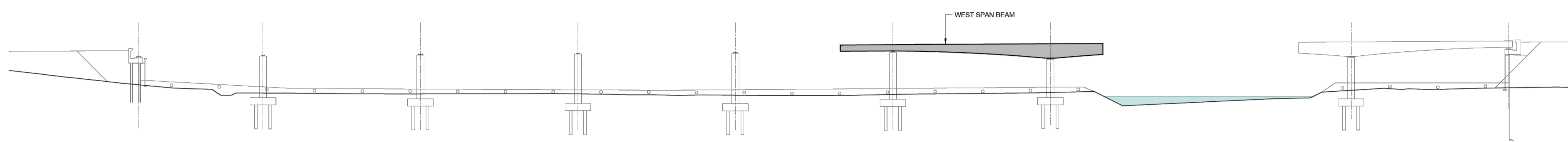


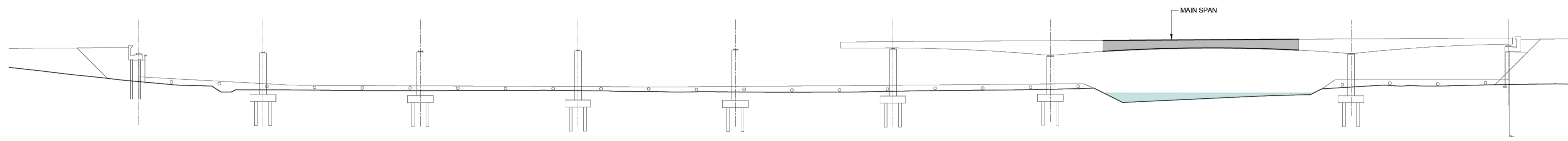
\legis.racine.local\bu_mens\BIB\01_P\Projects\Donegal\Structural\Cad\WIP\STR\DWG\STL_Y16112-BT-1A-SBR-S3-DR-S-17505.dwg



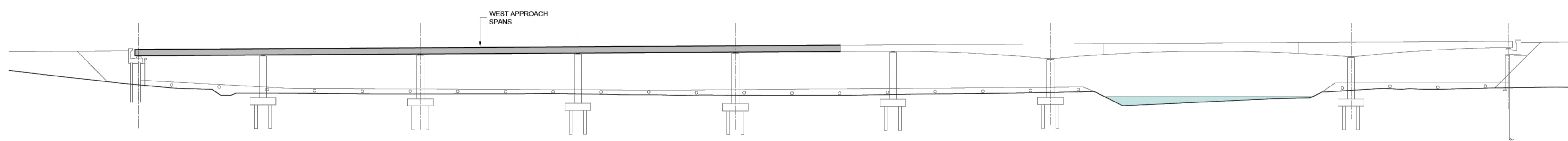
STAGE 6 - ERECT EAST SPAN STEELWORK



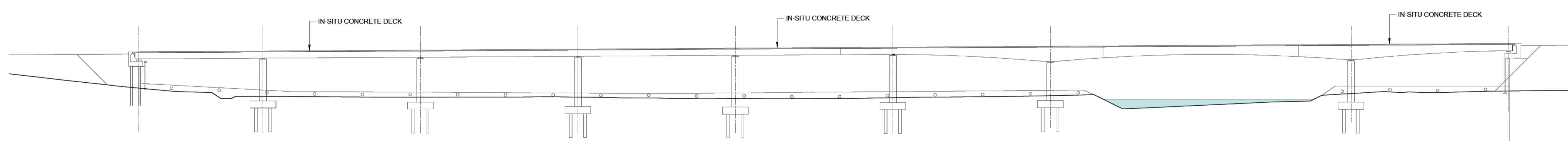
STAGE 7 - ERECT WEST SPAN STEELWORK



STAGE 8 - ERECT MAIN SPAN STEELWORK



STAGE 9 - ERECT STEELWORK WEST APPROACH SPANS



STAGE 10 - INSTALL PRECAST PARTICIPATING FORMWORK AND POUR DECK SLAB

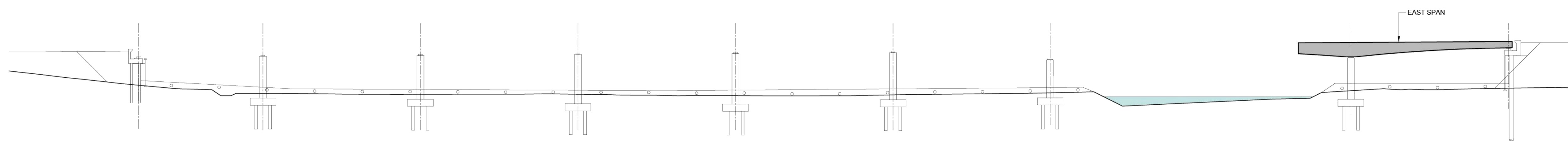
CYAL50419116
 © Talte Éireann - Surveying

Notes
 DO NOT SCALE, use figured dimensions only. All levels are referred to Ordnance Survey Datum, Main Head.
 This drawing is the property of Donegal County Council. It is a confidential document and must not be copied, used, or its contents divulged without prior written consent. This document should not be relied on or used in circumstances other than those for which it was originally prepared. Barry Transportation accepts no responsibility for this document to any other party other than the party by whom it was commissioned.

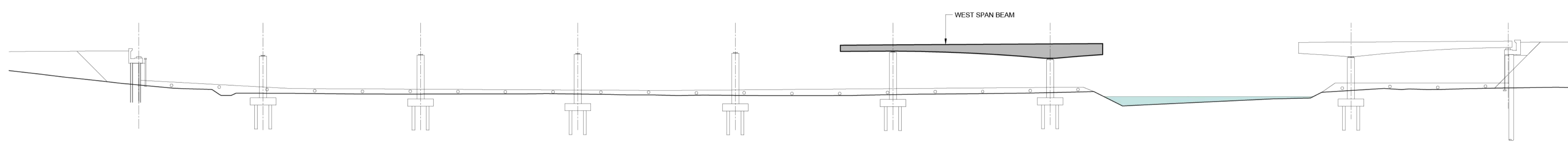
Rev.	Date	Drawn	Description	Chk'd	Appr.
P01	01/12/25	WS	ISSUE FOR PLANNING	MB	WL

Project Title: TEN-T Priority Route Improvement Project, Donegal Section 3 - N14 Manorcunningham to Lifford/Strabane/A5 Link		Status: A3
Drawing Title: N14-N15 TO A5 LINK - RIVER FINN CROSSING (REF N14R175) CONSTRUCTIVE SEQUENCE - SHEET 2 of 2		Rev: P01
Designed: MB Drawn: WS Approved: WL Checked: MB	Date: December 2025 Scale @ A1: AS SHOWN @ A3: AS SHOWN Sheet:	NIS Drawing Identifier: NIS Drawing 27 File Identifier: TT_Y16112-BT-1A-SBR-S3-DR-S-17505

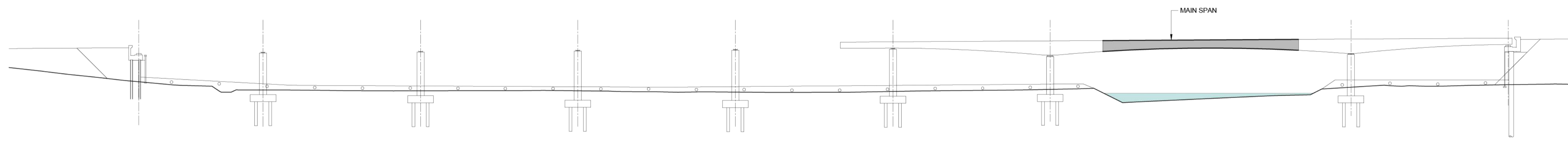
\legis.racine.local\bu_mens\BIB\01_P\Projects\Donegal\Structural\Cad\WIP\STR\DWG\STL_Y16112-BT-1A-SBR-S3-DR-S-17505.dwg



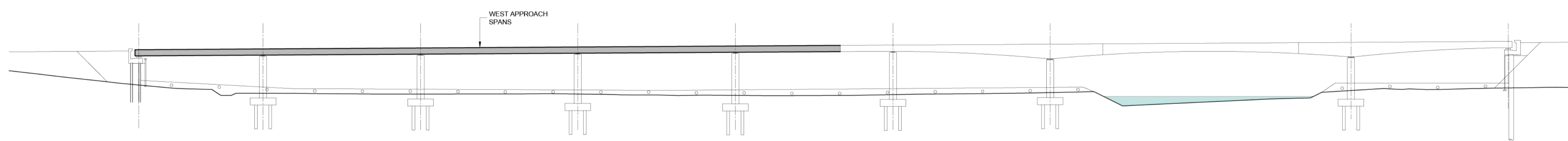
STAGE 6 - ERECT EAST SPAN STEELWORK



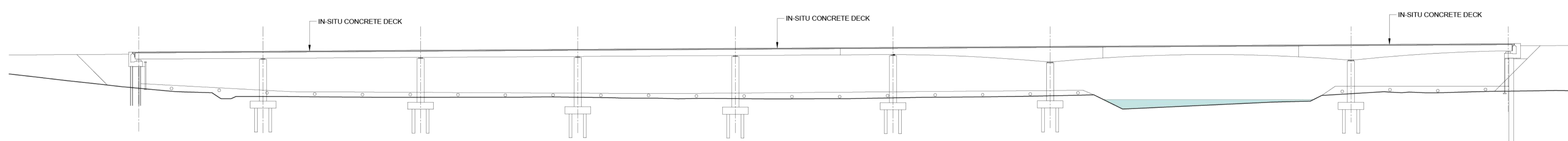
STAGE 7 - ERECT WEST SPAN STEELWORK



STAGE 8 - ERECT MAIN SPAN STEELWORK



STAGE 9 - ERECT STEELWORK WEST APPROACH SPANS



STAGE 10 - INSTALL PRECAST PARTICIPATING FORMWORK AND POUR DECK SLAB

CYAL50419116
 © Talte Éireann - Surveying

Notes
 DO NOT SCALE, use figured dimensions only. All levels are referred to Ordnance Survey Datum, Main Head.
 This drawing is the property of Donegal County Council. It is a confidential document and must not be copied, used, or its contents divulged without prior written consent. This document should not be relied on or used in circumstances other than those for which it was originally prepared. Barry Transportation accepts no responsibility for this document to any other party other than the party by whom it was commissioned.

Rev.	Date	Drawn	Description	Chk'd	Appr.
P01	01/12/25	WS	ISSUE FOR PLANNING	MB	WL

Project Title: TEN-T Priority Route Improvement Project, Donegal Section 3 - N14 Manorcunningham to Lifford/Strabane/A5 Link		Status: A3
Drawing Title: N14-N15 TO A5 LINK - RIVER FINN CROSSING (REF N14R175) CONSTRUCTIVE SEQUENCE - SHEET 2 of 2		Rev: P01
Designed: MB Drawn: WS Approved: WL Checked: MB	Date: December 2025 Scale @ A1: AS SHOWN @ A3: AS SHOWN Sheet:	NIS Drawing Identifier: NIS Drawing 27 File Identifier: TT_Y16112-BT-1A-SBR-S3-DR-S-17505